

/ BROKK 900

The Brokk 900 will open a whole new world of applications within heavy demolition and the tunneling industry. Heavy jobs require heavy attachments, that's the reason why Brokk 900 will be equipped with BHB 1500 which will give you more hitting power than any other demolition robot in the world. A major upgrade from its predecessor, Brokk 800, is that the Brokk 900 is equipped with SmartPower™ for optimized and more reliable runtime for longer periods of time. And with the new robust design, Brokk 900 will be a demolition robot to count on!

- Service friendly and robust design
- Heavy breaker for heavy tasks
- Reliable SmartPower™
- Diesel or electric powered



Hydraulic breaker in images: BHB 1500
Load and stability diagram available on request



TECHNICAL DATA

Slewing speed	16 sec/360°
Transport speed, max.	2.8 km/h; 1.7 mph
Climbing inclination, max.	30°
Hydraulic system capacity	230 l; 60.8 US gal
Pump type	Variable load-sensing
System pressure	18.5 MPa; 2683 psi
Increased pressure to attachment	25 MPa; 3626 psi
Pump flow Diesel/50 Hz el. motor	148 l/min; 39 US gal/min
60 Hz el. motor	178 l/min; 47 US gal/min
Power technology	SmartPower™
Electric motor type	ABB
Power*	71 kW
Recommended fuse size*	125 A

Starting device Soft start

Diesel performance - Type 1) Kohler Four-cylinder, water-cooled, 4-stroke engine

Engine 55,5 kW; 74 hp diesel EPA Tier 4, EU Stage V

Engine oil volume 15.6 l; 4.1 US gal

Diesel performance - Type 2) Kubota Four-cylinder, water-cooled, 4-stroke engine

Engine** 55,5 kW; 74 hp diesel EPA Tier 3, EU Stage IIIA

Engine oil volume 13.2 l; 3.5 US gal

Fuel tank capacity 80 l; 21.1 US gal

Freezing point -40 °C; -40°F

Control type SmartRemote™, portable

Signal code Digital

Transfer Professional radio/Cable

Range, radio Up to 300 m

Machine weight*** 11,400 kg; 25,133 lbs

Recommended attachment weight 1500 kg; 3307 lbs

Sound power level L_{WA}** El:** 99 dB(A)

Diesel: 103 dB(A)

*Valid for 400 V/50 Hz and 440 V/60 Hz

**Rated power 74 kW: 99.2 hp at 2600 rpm (SAE J1995)

***Excluding options and attachment

****Measured according to directive 2000/14/EC, excl. attachment

OPTIONS

Extra cylinder protection

Forced draft cooling for machine

Atomized water mist **NEW!**

Air flushing for breaker

Extra hydraulic function

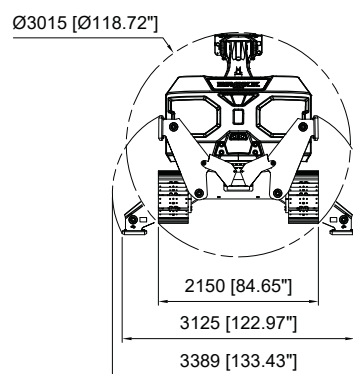
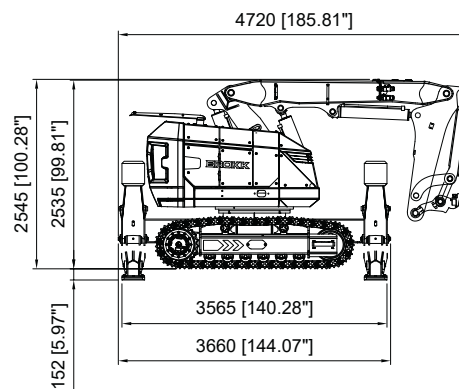
Drainage hose

CAN cable connection

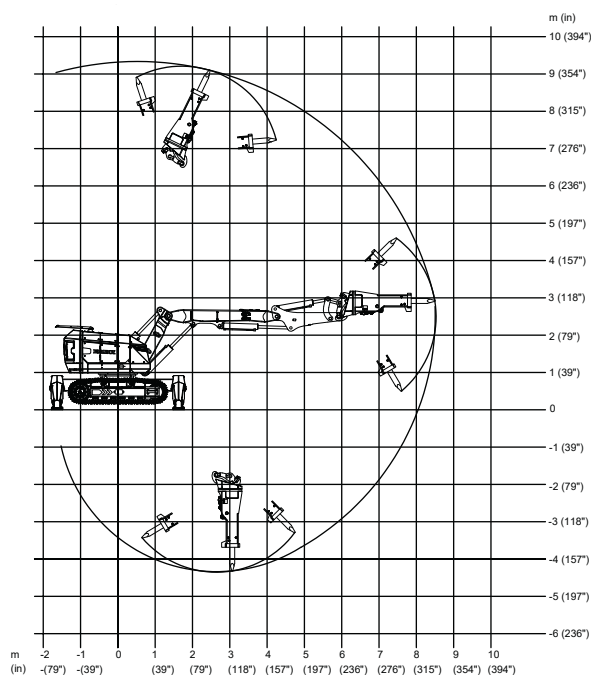
Lifting eyes (regular lifting points are standard)

Motion warning

SIZE



RANGE



Tolerances for technical data may vary