

/ BROKK 200

Watch out, there's a new weight class in town! Weighing only 2.1 tons, the Brokk 200 uses 27.5 kilowatts of Brokk SmartPower™ to carry attachments in a weight class higher than its size. Equipped with the breaker BHB 305 or the Darda CC480 concrete crusher, the Brokk 200 is unbeatable. A compact masterpiece with incredible strength and reach.

- Brutal demolition power
- Small footprint for its power and reach
- 27.5 kW Brokk SmartPower™ electrical system
- Built and optimized for heavy, high performance attachments



Hydraulic breaker in images: BHB 305
Load and stability diagram available on request



TECHNICAL DATA

Slewing speed	10 sec/360°
Transport speed, max.	2.1 km/h; 1.3 mph
Climbing inclination, max.	30°
Hydraulic system capacity	85 l; 22.5 US gal
Pump type	Variable load-sensing
System pressure	18 MPa; 2611 psi
Increased pressure to attachment	23 MPa; 3336 psi
Pump flow 50 Hz	85 l/min; 22.5 US gal/min
60 Hz	102 l/min; 27 US gal/min
Power technology	SmartPower™
Electric motor type	ABB
Power*	27.5 kW
Recommended fuse size*	63 A
Starting device	Soft start/Direct start
Control type	SmartRemote™, portable
Signal code	Digital
Transfer	Professional radio/Cable
Range, radio	Up to 300 m
Machine weight**	2100 kg; 4630 lbs
Recommended attachment weight	350 kg; 772 lbs
Sound power level L_{WA}***	87 dB(A)

*Valid for 400 V/50 Hz and 440 V/60 Hz

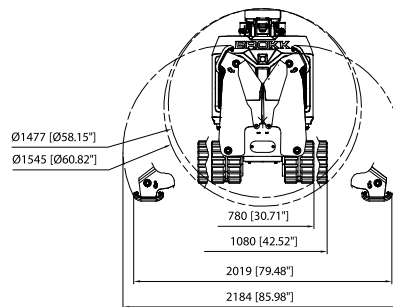
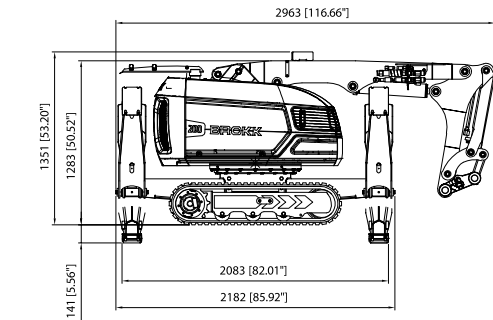
**Excluding options and attachment

***Measured according to directive 2000/14/EC, excl. attachment

OPTIONS

- Extra cylinder protection
- Rubber caterpillar tracks
- Steel caterpillar tracks
- Heat resistant hoses
- Forced draft cooling for machine
- Forced draft cooling for breaker
- Steel pads
- Atomized water mist **NEW!**
- Air flushing for breaker
- Water spray for breaker
- Extra hydraulic function
- Drainage hose
- CAN cable connection
- Counterweight
- Lifting eyes (regular lifting points are standard)
- Motion warning

SIZE



RANGE

