

# / BROKK 170

The Brokk 170 is the perfect demolition robot for the construction industry. If you liked the Brokk 160, then you will love this one. Don't let its size fool you; this lightweight robot offers impressive impact with a robust breaker and a powerful (but almost silent) concrete crusher. Compact enough to fit through normal doorways and capable of running on only 32 A, this robot offers outstanding power and reliability.

- Lightweight and powerful
- 24 kW Brokk SmartPower™ electrical system
- Can be operated on 32 A fuse
- Compatible with attachments for Brokk 160



Hydraulic breaker in images: BHB 205  
Load and stability diagram available on request



## TECHNICAL DATA

<b>Slewing speed</b>	10 sec/360°
<b>Transport speed, max.</b>	2.1 km/h; 1.3 mph
<b>Climbing inclination, max.</b>	30°
<b>Hydraulic system capacity</b>	85 l; 22.5 US gal
<b>Pump type</b>	Variable load-sensing
<b>System pressure</b>	18 MPa; 2611 psi
<b>Increased pressure to attachment</b>	23 MPa; 3336 psi
<b>Pump flow 50 Hz</b>	69 l/min; 18 US gal/min
<b>60 Hz</b>	83 l/min; 22 US gal/min
<b>Power technology</b>	SmartPower™
<b>Electric motor type</b>	ABB
<b>Power*</b>	24 kW
<b>Recommended fuse size*</b>	63 A
<b>Starting device</b>	Soft start/Direct start
<b>Control type</b>	SmartRemote™, portable
<b>Signal code</b>	Digital
<b>Transfer</b>	Professional radio/Cable
<b>Range, radio</b>	Up to 300 m
<b>Machine weight**</b>	1600 kg; 3527 lbs
<b>Recommended attachment weight</b>	270 kg; 595 lbs
<b>Sound power level L<sub>WA</sub>***</b>	87 dB(A)

\*Valid for 400 V/50 Hz and och 440 V/60 Hz

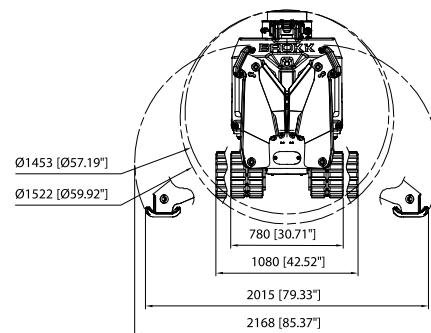
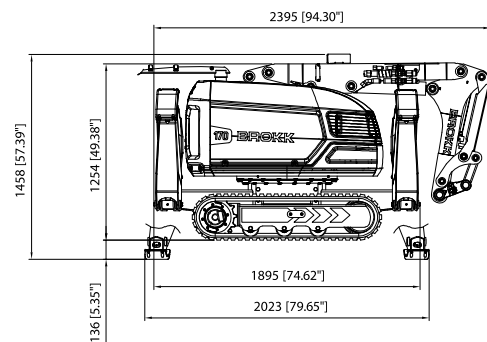
\*\*Excluding options and attachment

\*\*\*Measured according to directive 2000/14/EC, excl. attachment

## OPTIONS

Extra cylinder protection
Rubber caterpillar tracks
Steel caterpillar tracks
Dozer blades
Heat resistant hoses
Forced draft cooling for machine
Forced draft cooling for breaker
Steel pads
Atomized water mist <b>NEW!</b>
Air flushing for breaker
Water spray for breaker
Extra hydraulic function
Drainage hose
CAN cable connection
Lifting eyes (regular lifting points are standard)
Motion warning

## SIZE



## RANGE

