

/ BROKK 120D^{II}

All without compromising flexibility, the Brokk 120D^{II} is the world's smallest diesel-powered demolition robot. It is small enough to enter a regular doorway and can easily be operated in confined spaces. The Brokk 120D^{II} is fully wireless and can operate for at least eight hours without needing a fuel refill. With Brokk SmartPower™, the Brokk 120D^{II} is as reliable as the electric robots of the same size. The Brokk 120D^{II} is the paragon of diesel-powered excellence.

- The world's smallest diesel-driven demolition robot
- Ideal for places that do not have reliable power supply
- Compatible with attachments for Brokk 110
- High tracking speed for high mobility



Hydraulic breaker in images: BHB 155
Load and stability diagram available on request



TECHNICAL DATA

Slewing speed	10 sec/360°
Transport speed, max.	3 km/h; 1.9 mph
Climbing inclination, max.	30°
Hydraulic system capacity	45 l; 11.9 US gal
Pump type	Gear pump with fixed displacement
System pressure*	18 MPa; 2611 psi
Pump flow	50 l/min; 13 US gal/min
Diesel performance - type	Three-cylinder, water-cooled, 4-stroke engine
Engine	18.5 kW; 24.8 hp diesel EPA Tier 4
Fuel tank capacity	30 l; 7.9 US gal
Engine oil volume	5.1 l; 1.35 US gal
Coolant volume	4.4 l; 1.2 US gal
Freezing point	-40°C; -40°F
Control type	SmartRemote™, portable
Signal code	Digital
Transfer	Professional radio/Cable
Range, radio	Up to 300 m
Machine weight**	1230 kg; 2712 lbs
Recommended attachment weight	160 kg; 353 lbs
Sound power level L_{WA}***	101 dB(A)

*Hydraulic pressure can be increased depending on the attachment

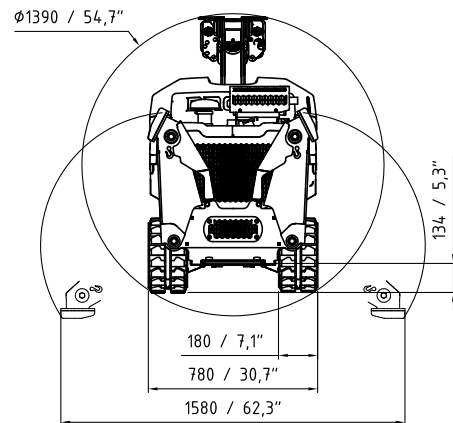
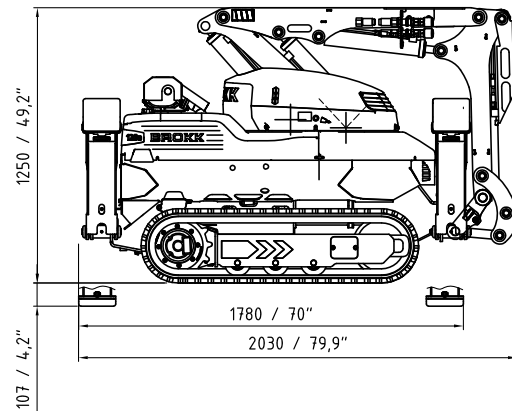
**Excluding options and attachment

***Measured according to directive 2000/14/EC, excl. attachment

OPTIONS

Extra cylinder protection
Rubber caterpillar tracks
Steel caterpillar tracks
Heat resistant hoses
Forced draft cooling for machine
Forced draft cooling for breaker
Steel pads
Atomized water mist NEW!
Air flushing for breaker
Water spray for breaker
Extra hydraulic function
Drainage hose
CAN cable connection
Counterweight
Lifting eyes (regular lifting points are standard)
Motion warning

SIZE



RANGE

