

/ BROKK 500

The Brokk 500 demonstrates 40% more demolition power than its predecessor, the Brokk 400. With its new reinforced design and extended reach, it sets a new industry standard for power-to-size ratio in its segment. In addition, new technology allows for the use of heavier attachments such as the powerful BHB 705 breaker, despite its weight and size being nearly the same as the Brokk 400. When it comes to the Brokk 500, more really is more.

40% more demolition power with the BHB 705 breaker

- Extended working reach and radius
- 41 kW Brokk SmartPower™ electrical system
- Compatible with all Brokk 400 attachments



Hydraulic breaker in images: BHB 705. Concrete crusher in image: CC700.
Load and stability diagram available on request

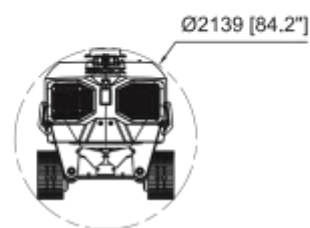
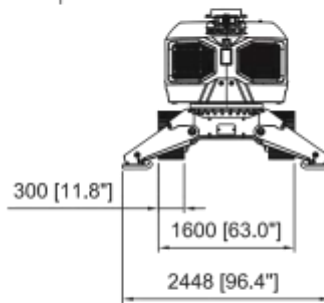
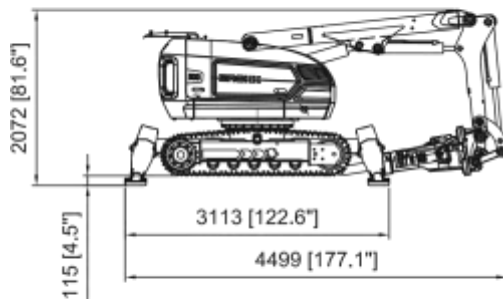
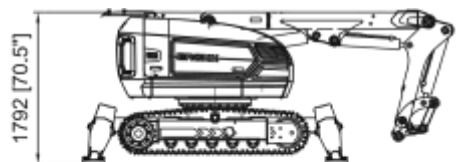


TECHNICAL DATA

SIZE

| | |
|----------------------------------|--------------------------|
| Slewing speed | 16 sec/360° |
| Transport speed, max. | 1.8 km/h; 1.1 mph |
| Climbing inclination, max. | 30° |
| Hydraulic system capacity | 145 l; 38 US gal |
| Pump type | Variable load-sensing |
| System pressure | 18 MPa; 2611 psi |
| Increased pressure to attachment | 24 MPa; 3481 ps |
| Pump flow 50 Hz | 115 l/min; 30 US gal/min |
| 60 Hz | 130 l/min; 34 US gal/min |
| Power technology | SmartPower™ |
| Electric motor type | ABB |
| Power* | 41 kW |
| Recommended fuse size* | 63 A |
| Starting device | Soft start/Direct start |
| Control type | SmartRemote™, portable |
| Signal code | Digital |
| Transfer | Professional radio/Cable |
| Range, radio | Up to 300 m |
| Machine weight** | 5200 kg; 11,464 lbs |
| Recommended attachment weight | 700 kg; 1543 lbs |
| Sound power level Lwa*** | 100 dB(A) |

*Valid for 400 V/50 Hz and 440 V/60 Hz



OPTIONS

Extra cylinder protection

**Excluding options and attachment

***Measured according to directive 2000/14/EC, excl. attachment

Heavy duty dipper arm

Rubber caterpillar tracks

Steel caterpillar tracks

Heat resistant hoses

Forced draft cooling for machine

Forced draft cooling for breaker

Steel pads

Atomized water mist **NEW!**

Air flushing for breaker

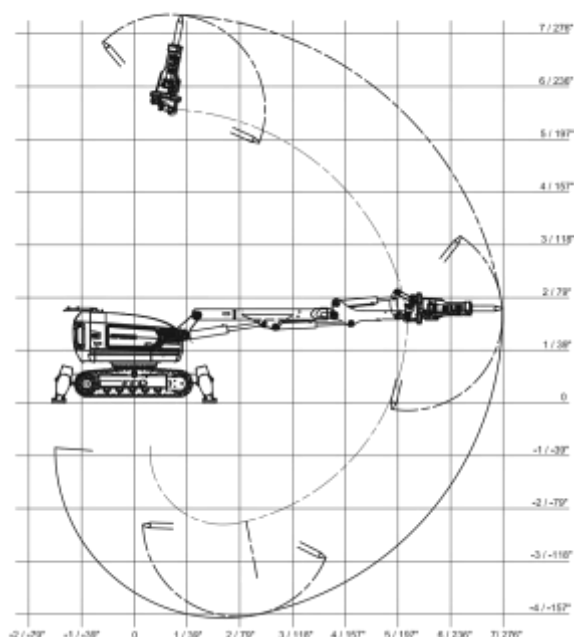
Water spray for breaker

Extra hydraulic function

Drainage hose

CAN cable connection

Counterweight



Cable reel

Lifting eyes (regular lifting points are standard)

Motion warning