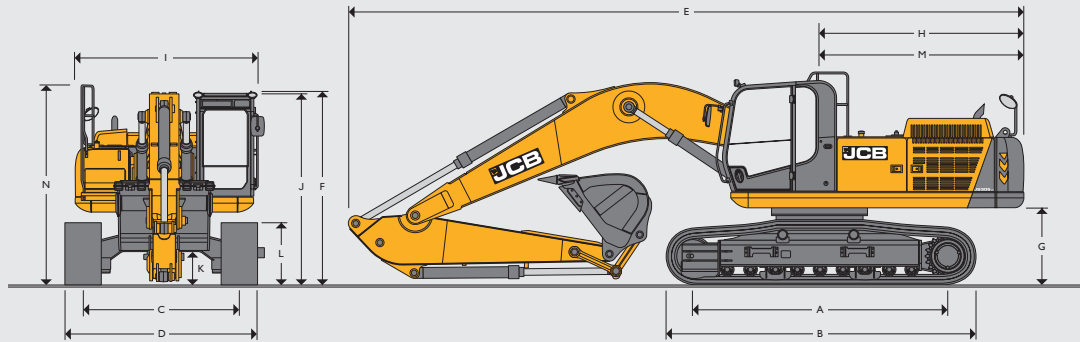




## TRACKED EXCAVATOR | JS305 LC

Engine power: 165kW (221hp) Bucket capacity: 1.24 - 1.80m<sup>3</sup> Operating weight: 31700 - 32762kg





**STATIC DIMENSIONS**

Model		LC	
A	Track length on ground	mm	3990
B	Undercarriage overall length	mm	4954
C	Track gauge	mm	2600
D	Width over tracks (600mm trackshoes)	mm	3200
D	Width over tracks (700mm trackshoes)	mm	3300
D	Width over tracks (800mm trackshoes)	mm	3400
D	Width over tracks (900mm trackshoes)	mm	3500
G	Counterweight clearance	mm	1223
H	Tail swing radius	mm	3213
I	Overall width of superstructure	mm	3067
J	Height over cab	mm	3331
K	Ground clearance	mm	550
L	Track height	mm	1026
M	Tail length	mm	3185
N	Height over grab rail	mm	3374
<b>Monoboomb 6.2m</b>			
<b>Dipper lengths</b>		<b>2.5m</b>	<b>3.1m</b>
E	Transport length	mm	10755
F	Transport height	mm	3459

**ENGINE**

Model	JCB DIESELMAX 672 mechanical engine		
Type	Water cooled, 4-stroke, 6-cylinder in line, mechanical direct injection, turbocharged, intercooled.		
Rated power	165kW (221hp) at 1800rpm		
Piston displacement	7.2 litres.		
Air filtration	Dry element with secondary safety element & in-cab warning indicator.		
Starting system	24 volt.		
Batteries	2 x 12 volt.		
Alternator	24 volt, 55 ampere.		

**SERVICE CAPACITIES**

Fuel tank	Litres	590
Engine coolant	Litres	32
Engine oil	Litres	30
Swing reduction gear	Litres	16
Track reduction gear (each side)	Litres	5
Hydraulic system	Litres	430
Hydraulic tank*	Litres	239

\*Deduction cylinder volumes and service fill (25 litres).

**SLEW SYSTEM**

Slew motor	Axial piston type.
Slew brake	Negative type, oil lubricated, multi-disc parking brake.
Slew torque	100.3 kNm
Slew speed	9.4 rpm
Slew gear	Large diameter, internally toothed fully sealed grease bath lubricated.

**TRACK DRIVE**

Type	Fully hydrostatic, two speed with autoshift.
Travel motors	Variable swash axial piston type, fully guarded within undercarriage.
Final drive	Planetary reduction, bolt-on sprockets.
Service brake	Hydraulic counter balance valve.
Park brake	Disc type, spring applied, automatic hydraulic release.
Gradeability	70% (35 deg) continuous.
Travel speed	High – 5.2 km/h Low – 2.1 km/h
Tractive effort	246.3 kNm

**HYDRAULIC SYSTEM**

Open centered, negative control hydraulic system with twin variable flow piston pumps providing flow-on-demand.

**Pumps**

Main pumps	2 variable displacement axial piston type.
Maximum flow	2 x 250 l/min.
Servo pump	Gear type.
Maximum flow	18 l/min.

**Control valve**

A combined four and five spool control valve with auxiliary service spool as standard.

**Relief valve settings**

Boom/Arm/Bucket	343 bar MRV (392 bar ARV).
Swing circuit	290 bar.
Travel circuit	343 bar.
Pilot control	39 bar.

**Filtration**

In tank	195 micron, suction strainer.
Main return line	10 micron.
Pilot line	10 micron.
Hydraulic hammer return	10 micron, aluminium housing with perbunan (NBR) seals.

**WEIGHTS AND GROUND BEARING PRESSURES** \*s: shoes

Figures include 1.49m<sup>3</sup> (1364kg) bucket, 80kg operator, full fuel tank and 2.5m dipper.

		600mm s	700mm s	800mm s	900mm s
Machine weight	kg	31700	32054	32408	32762
Ground bearing pressure	kg/cm <sup>2</sup>	0.66	0.57	0.51	0.46



**HEAD OFFICE - JAKARTA**

Jl. Raya Tanjung Barat No.85  
Tanjung Barat, Jagakarsa  
Jakarta Selatan 12530 Indonesia  
Tel : (62) 21 789 0908  
Fax : (62) 21 780 1330  
(62) 21 780 3343  
Email : inquiry@airindosakti.co.id

**CILEGON**

Komplek Ruko Cilegon Business Square  
Blok A / 12  
Jl. Raya Pondok Cilegon Indah,  
Cilegon - Banten  
Tel : (62) 254 849 3535  
Fax : (62) 254 849 5652  
Email : cilegon@airindosakti.co.id

**SURABAYA**

Jl. Rungkut Industri II / 9  
Surabaya 60293  
Tel : (62) 31 849 2004  
(62) 31 849 1099  
Fax : (62) 31 849 2007  
Email : surabaya@airindosakti.co.id

**SEMARANG**

Puri Anjasmoro Blok E1 / 17  
Semarang 50144  
Tel : (62) 24 761 3000  
(62) 24 760 5445  
Fax : (62) 24 760 7736  
Email : semarang@airindosakti.co.id