

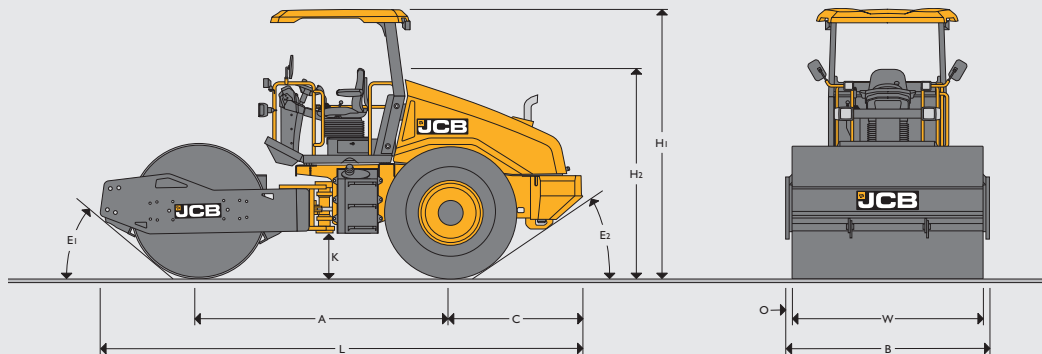


SINGLE DRUM SOIL COMPACTOR | JCB 116D

Operating weight: 11350 kg Engine power: 85kW (114hp) Drum width: 2100 mm



STATIC DIMENSIONS



STATIC DIMENSIONS

A	Wheelbase	mm	2846
B	Overall width	mm	2240
C	Axle to rear face	mm	1517
E1	Front departure angle	degrees	39
E2	Rear departure angle	degrees	34
H1	Total travel clearance	mm	2995
H2	Height to top of seat (unfolded)	mm	2280
K	Ground clearance	mm	443
L	Total travel length	mm	5473
O	Overhang	mm	70
W	Drum width	mm	2100
	Drum diameter (smooth drum)	mm	1500
	Inner diameter (padfoot drum)	mm	1500
	Outer diameter (padfoot drum)	mm	1680
	Drum thickness	mm	28

ENGINE

Manufacturer	JCB		
Model	JCB DIESELMAX TCA-85		
Total displacement	cm ³	4399	
Gross power	kW (hp)	85 (114)	
Operating speed / Rated speed	rpm	2000 / 2200	
Starting device	Electric motor		
Air cleaner	Two stage dry type		
Fuel filter	Cartridge		
Emission	Tier III		

PROPULSION

Infinitely variable hydrostatic direct drive by variable displacement motor on rear axle and drum, limited slip axle.

EXCITER DRIVE

Electronically-controlled hydrostatic direct drive on drum.

EXCITER

Dual-amplitude circular exciter with overturning weights.

STEERING SYSTEM

Servo assisted centre articulation with automatic oscillation.

OPERATING DATA

Operating weight	kg	11350	
Max. operating weight	kg	13200	
Operating axle load front / rear	kg	6450 / 4900	
Vibration stage		1	2
Exciter frequency	Hz (vpm)	32 (1920)	36 (2160)
Nominal amplitude	mm	1.8	0.8
Centrifugal force	kN	256	147
Static linear load	kg/cm	30.7	
Working speed (forward / reverse) max.	km/h	5	
Travel speed (forward / reverse) max.	km/h	10.5	
Steering lock angle	degrees	35	
Oscillation angle	degrees	15	
Inner turning radius	m	3.4	
Tyres		23.1-26/8PR	
Number of padfeet (optional PD shell)		132	
Height of padfeet (optional PD shell)		90	
Gradeability up to (drum drive)	degrees	28.5 / 55	

SERVICE CAPACITIES

Fuel	litres	300
Engine oil	litres	14
Gear oil (exciter)	litres	5
Hydraulic oil	litres	80
Coolant / System	litres	21

ELECTRICAL SYSTEM

Voltage	V	12
Battery capacity	Ah	120
Alternator	V	90

INDICATORS AND SWITCHES

Engine RPM with hour meter, fuel gauge, engine temperature gauge, indicators for engine oil pressure, battery charging current, hydraulic oil and air filter condition, parking brake, neutral position control lever, switches for speed range selection, frequency, acoustic back-up alarm, four working lights, head lamps, turn signal, hazard-warning lights.

OPTIONS

ROPS & FOPS cab, ROPS & FOPS canopy, Compatronic compaction measurement device, padded foot drum shell.

BRAKING SYSTEM

Service brake: Hydrostatic propulsion system.
Parking brake: Hydraulically-released multi-disk brake on rear axle and drum drive
Emergency brake: Electronically-controlled, disk brake, on rear axle and drum drive.

AIRINDO **JCB**

HEAD OFFICE - JAKARTA

Jl. Raya Tanjung Barat No.85
 Tanjung Barat, Jagakarsa
 Jakarta Selatan 12530 Indonesia
Tel : (62) 21 789 0908
Fax : (62) 21 780 1330
 (62) 21 780 3343
Email : inquiry@airindosakti.co.id

CILEGON

Komplek Ruko Cilegon Business Square
 Blok A / 12
 Jl. Raya Pondok Cilegon Indah,
 Cilegon - Banten
Tel : (62) 254 849 3535
Fax : (62) 254 849 5652
Email : cilegon@airindosakti.co.id

SURABAYA

Jl. Rungkut Industri II / 9
 Surabaya 60293
Tel : (62) 31 849 2004
 (62) 31 849 1099
Fax : (62) 31 849 2007
Email : surabaya@airindosakti.co.id

SEMARANG

Puri Anjasmoro Blok E1 / 17
 Semarang 50144
Tel : (62) 24 761 3000
 (62) 24 760 5445
Fax : (62) 24 760 7736
Email : semarang@airindosakti.co.id